

Sensor Description

Working with the Farmdeck app, the site security camera can be used to remotely monitor your farm, allowing you to keep an eye on any location on your farm, including entry points, paddocks, fence parameters, farm homesteads and parked vehicles to ensure that your farm is kept secure.

It can also be used to count animals and can differentiate between different types of livestock, such as sheep, cow, etc.

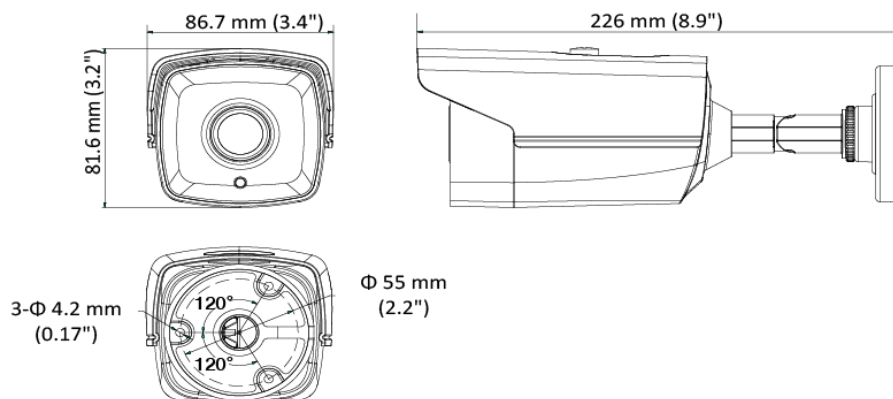


Features

- Remotely monitor your farm via the live video feed on the Farmdeck platform.
- View entry points on and off your farm and receive alerts for entry/motion detection in specific areas increasing farm security.
- Keep an eye on prime locations like where your livestock or important assets are kept.

Applications

- Monitoring and security on farm
- Animal counting
- Fruit counting
- Vehicle numberplate recognition



Mechanical Features

Housing	IP67 Protection
Dimensions (mm)	86.7 mm × 81.6 mm × 226 mm
Weight	Approx. 680 g
Material	Metal

Device Power Supply

Power Supply	12 VDC ±25%
--------------	-------------

Operating Conditions

Temperature	-40 °C to 60 °C (-40 °F to 140 °F), humidity: 90% or less (non-condensation)
Power Supply	12 VDC ±25%
PowerConsumption	Max. 5 W
IR Range	Up to 40 m

Radio/Wireless Connection

Wireless technology	LoRaWAN 1.0.3/1.1
Supported LoRaWAN device type	Class A End-device
Supported LoRaWAN Regions	US902 - 928,AS923, AU915 - 928, KR920-923
Configuration	OTAA, ABP, ADR

Data Type

	5MP high performance CMOS 2560 x 19434 resolution 2.8 mm, 3.6 mm, 6 mm, 8 mm, 12 mm fixed focal lens EXIR 2.0, Smart IR , up to 40 m IR distance Colour: 0.01 Lux @ (F1.2, AGC ON), 0 Lux with IR
Video output	1 HD analog output

Optional Cellular Connection

Wireless Technology	LTE-M/NB/IoT
---------------------	--------------

Supported LTE Bands	LTE-M (Cat-M1): B1, B2, B3, B4, B5, B8, B12, B13, B14, B17, B18, B19, B20, B25, B26, B28, B66 NB-IoT (Cat-NB1/NB2): B1, B2, B3, B4, B5, B8, B12, B13
SIM card and format	Internal Nano 4FF SIM
